

4

3

2

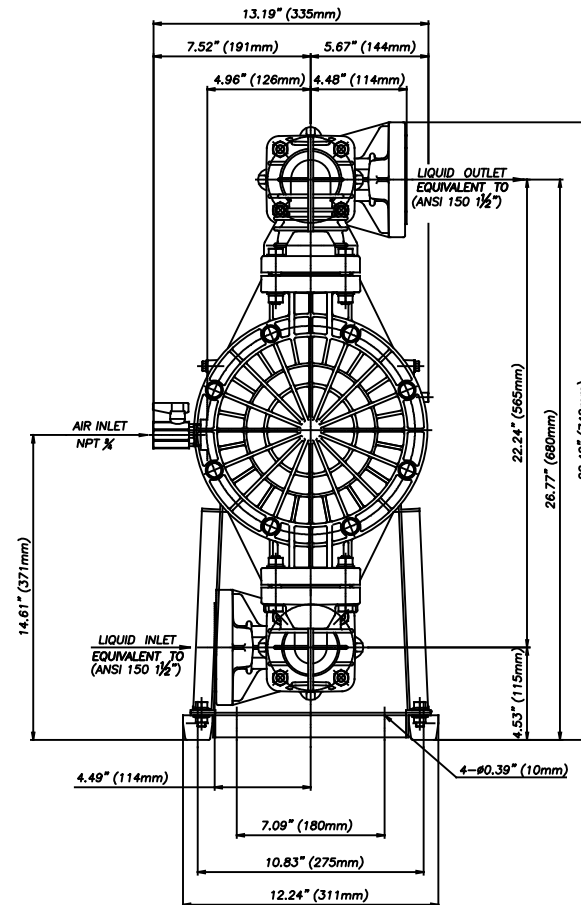
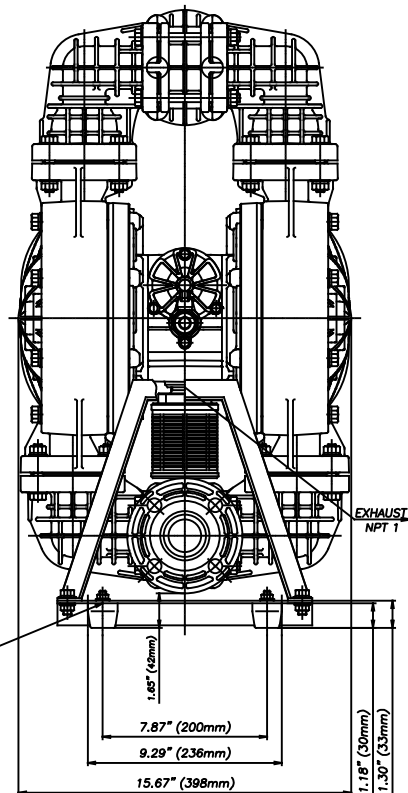
1

Materials of Construction

PUMP BODY MATERIAL	V= PVDF
DIAPHRAGM MATERIAL	C=CR
	N=NBR
	T=PTFE
	H=TPEE
	S=TPO
	V=FKM
	E=EPDM

REVISIONS

REV	DESCRIPTION	DATE	APPROVED
A	RELEASED	01/15/2026	JP



NOTES:
1. SOME FEATURES MAY VARY SLIGHTLY.

PROPRIETARY

THIS DRAWING CONTAINS CONFIDENTIAL INFORMATION PROPRIETARY TO IWAKI AMERICA. IT MUST NOT BE REPRODUCED OR FORWARDED TO OTHERS OR USED IN ANY OTHER WAY, IN WHOLE OR IN PART, UNLESS AUTHORIZED IN WRITING BY IWAKI AMERICA.

TOLERANCES

DIMENSIONS IN INCHES (MM)

UNLESS OTHERWISE NOTED
X = .050
.XX = .010
.XXX = .00

DEBURR AND BREAK ALL SHARP EDGES

MATERIAL
SEE CHART

BY BA DATE 01/15/2026

APPROVED JP DATE 01/15/2026

SIZE B DWG NO. TC-X00204

SCALE: FULL



www.IwakiAir.com

5 Boynton Rd.
Hopping Brook Park
Holliston, MA 01746
(508) 429-1440

DESCRIPTION TC-X400V_A REV A

THIRD ANGLE PROJECTION SHEET: 1 OF 1

4

3

2

1